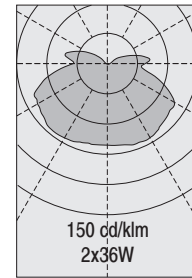
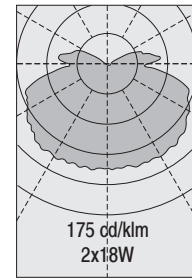
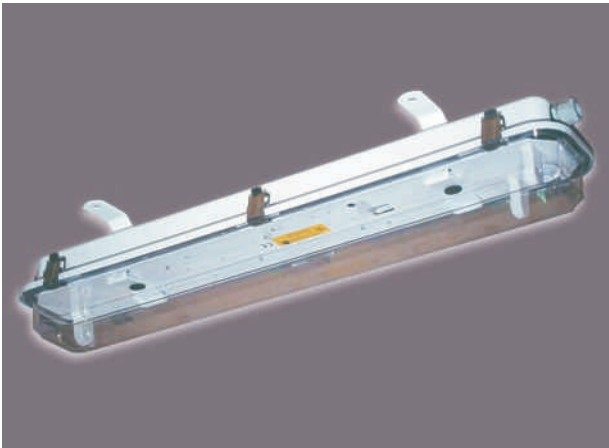


# Explosionproof Luminaire, surface, 2x18W/2x36W

EXP 03



IP 66

IP 67

220V-250V  
50Hz-60Hz

G13



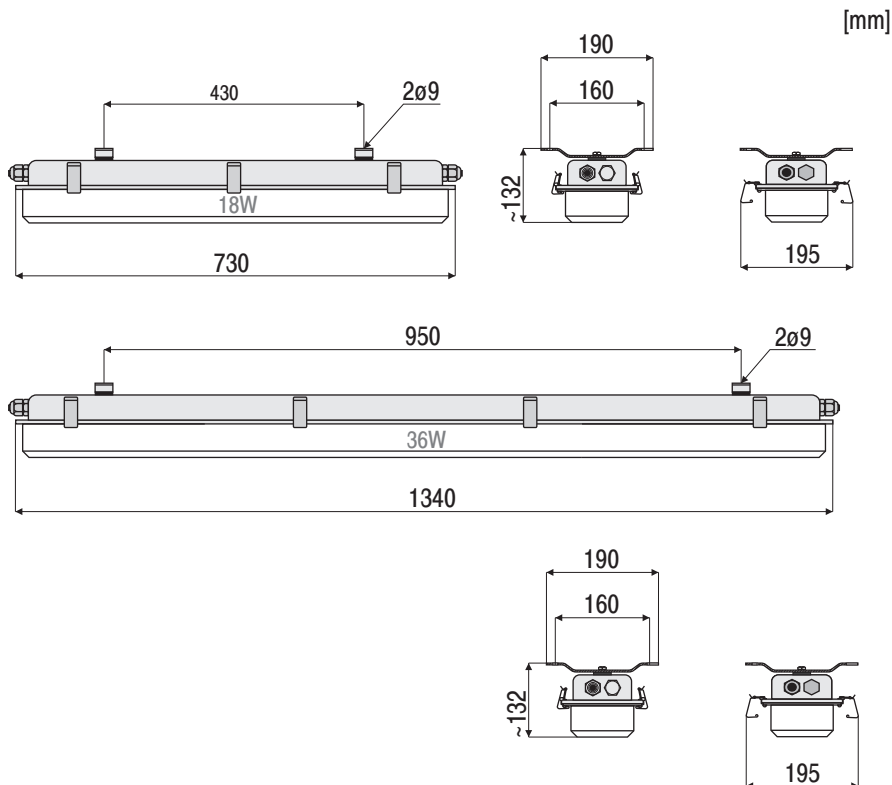
Type	Code	Light source	Light source power / lamp base	Weight
EXP 03 - 2180	203-218 Ex	fluorescent lamp	2 x 18 W / G 13	6,1 kg
EXP 03 - 2360	203-236 Ex		2 x 36 W / G 13	8,3 kg
EXP 03 - 2180/A3	203-218 Ex/A3		2 x 18 W / G 13	7,1 kg
EXP 03 - 2360/A3	203-236 Ex/A3		2 x 36 W / G 13	9,3 kg

**Application**  
hazardous areas zone 2, 22  
**Approvals authority:**  
KDB - BARBARA  
**Protection type**  
ExnA II, T5  
**Insulation class**  
1

**Housing**  
zinc coated steel, seamless deep drawn,  
powder coated white  
**Diffuser**  
clear polycarbonate  
**Lamps (not included)**  
fluorescent lamp 18W/36W  
**Electric**  
flexible wiring, heat resistant up to +105°C

**Cable entry**  
2 plastic cable glands M 20  
cable max  $\varnothing$  13 mm  
**Mounting**  
2 welded brackets with  
2 mounting holes  $\varnothing$  9 mm  
**Electrical connection**  
see finish section

2.14



## OPTIONS

Stainless  
Steel  
Housing

Battery  
Backup  
System 220V-240V 3h  
50Hz-60Hz

SC-Glands  
for screen  
cable 