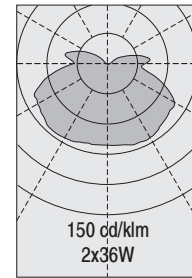
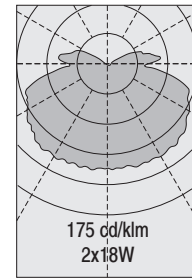


# Watertight Luminaire, surface

## 1x18W/2x18W; 1x36W/2x36W

TLP 44



**IP 67**

230V  
50Hz

G13



+40°C

Type	Code	Light source	Light source power / lamp base	Weight
TLP 44-1180	144-118	fluorescent lamp	1x18W / G13	3,5 kg
TLP 44-2180	144-218		2x18W / G13	4,0 kg
TLP 44-1360	144-136		1x36W / G13	5,6 kg
TLP 44-2360	144-236		2x36W / G13	6,2 kg

**Application**  
multipurpose luminaire for engine rooms, stores, decks, etc.

**Approvals**  
according to the rules of relevant classification societies, additional IEC

**Housing**  
zinc coated steel, seamless deep drawn, powder coated white

**Diffuser**  
polycarbonate, clear

**Lamps (not included)**  
fluorescent lamp 18W/36W

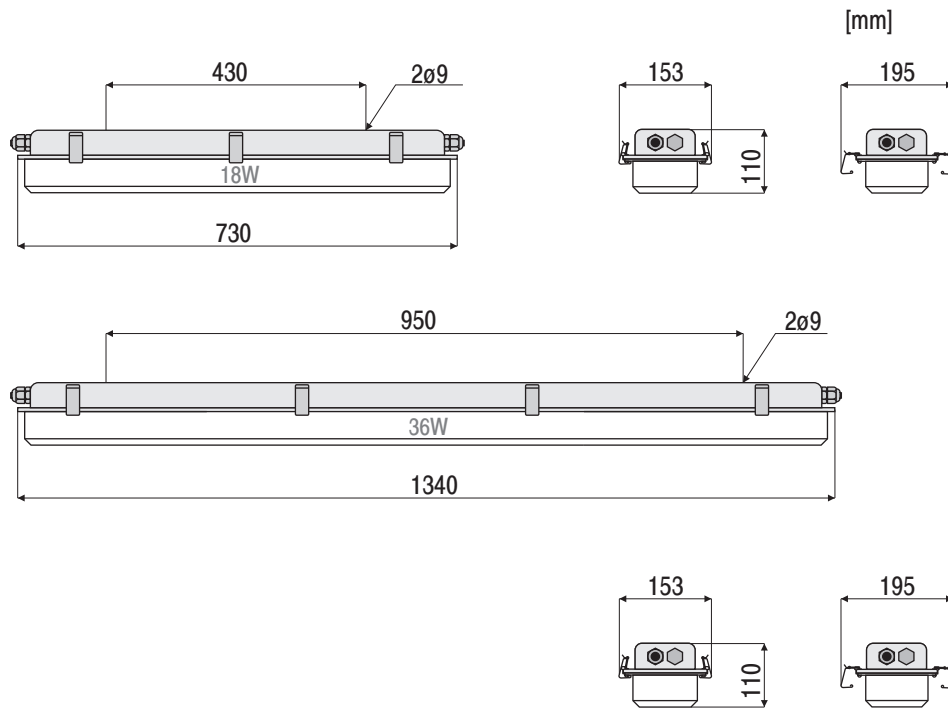
**Electric**  
flexible wiring, heat resistant up to +105°C

**Cable entry**  
max 4 cable glands, to be ordered separately

**Mounting**  
2, 4 or 8 mounting holes,  $\varnothing$  9 mm

**Electrical connection**  
see finish section

**2.01**



### OPTIONS

220V  
60Hz

230V  
60Hz

120V  
60Hz

240V  
50Hz

24V DC

Electronic Ballast	220V-240V 50Hz-60Hz	220V-240V DC
--------------------	------------------------	-----------------

Battery Backup System	220V-240V 50Hz-60Hz	1h or 3h
-----------------------	------------------------	----------

Stainless Steel Housing

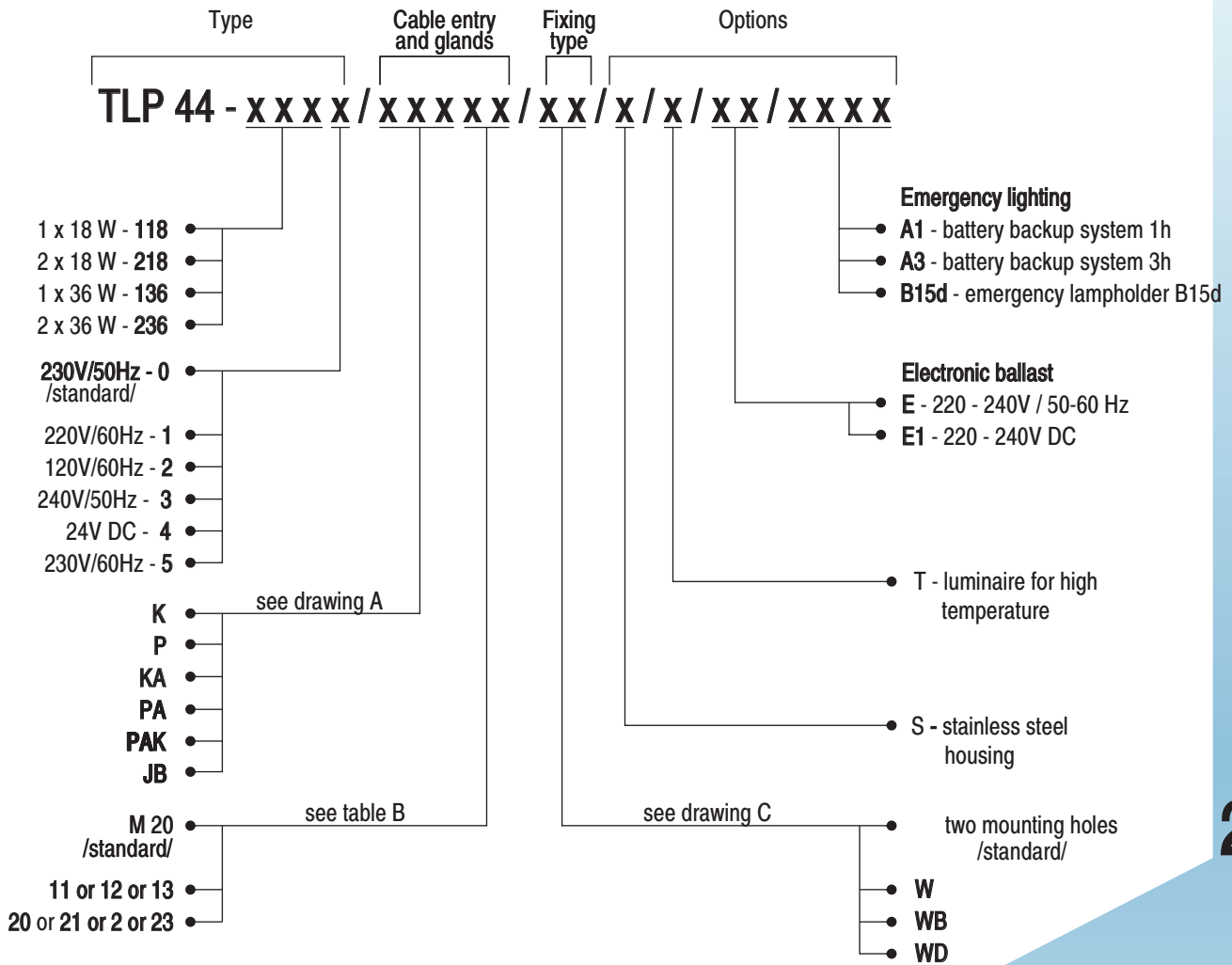
Outside Junction Box

Emergency Lampholder B15d

SC-Glands for screen cable

+50°C

Order Specification

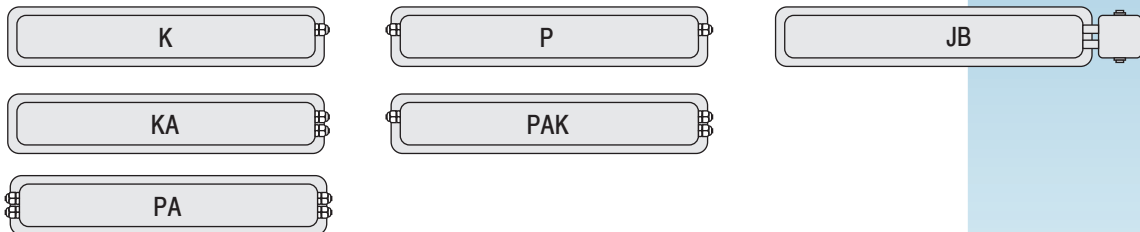


2.02

Example of type description

**TLP 44 - 2180/P/W/S** light fitting for two fluorescent lamp 18W with socket G13; supply voltage 230V/50Hz; through wiring; cable glands - PG 16; fixing - two welded brackets; housing of stainless steel

A. Cable entry

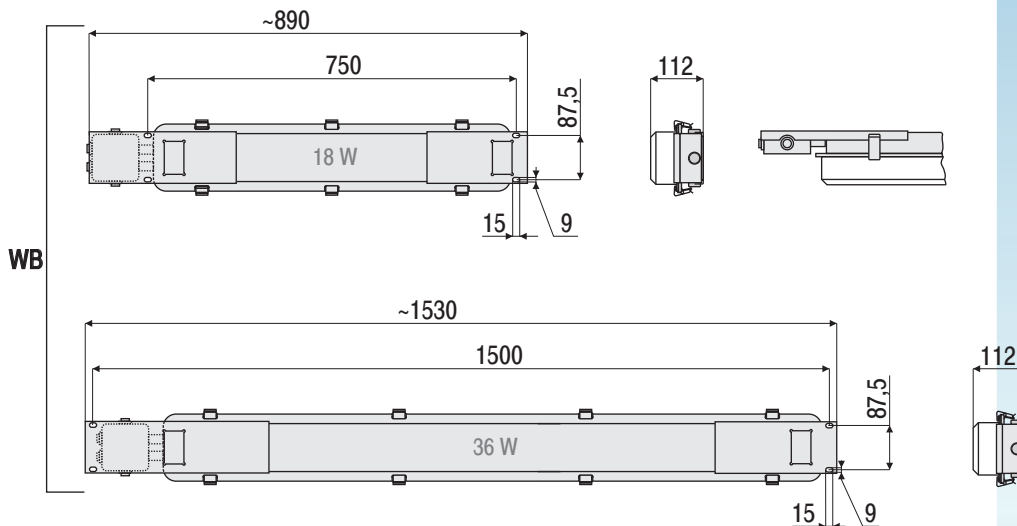
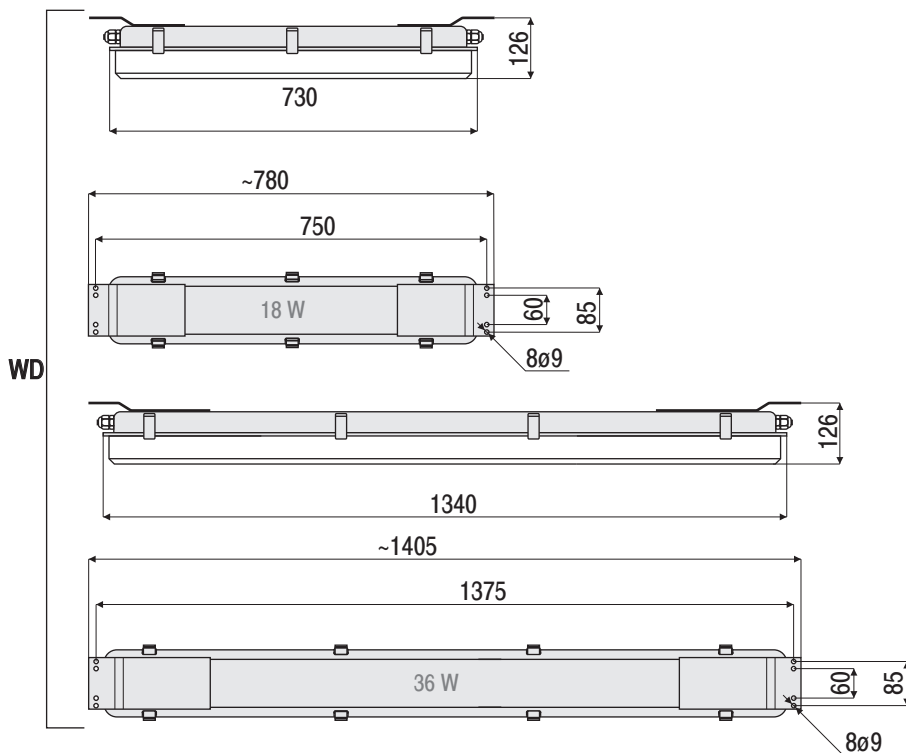
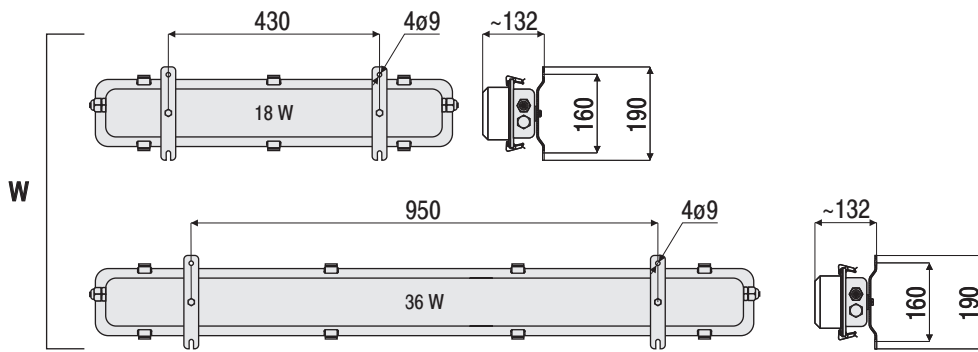


B. Cable gland

M 20				M 25			
Polyamide	Brass	Polyamide SC	Brass SC	Polyamide	Brass	Polyamide SC	Brass SC
Cable dia. $\varnothing 8 \div 13$ /mm/	Cable dia. $\varnothing 9,1 \div 14,3$ /mm/	Cable dia. $\varnothing 8 \div 13$ /mm/	Cable dia. $\varnothing 9,1 \div 14,3$ /mm/	Cable dia. $\varnothing 13 \div 19$ /mm/	Cable dia. $\varnothing 14,1 \div 20$ /mm/	Cable dia. $\varnothing 13 \div 19$ /mm/	Cable dia. $\varnothing 14,1 \div 20$ /mm/
	11	12	13	20	21	22	23

Wateright Luminaire, surface  
1x18W/2x18W; 1x38W/2x36W

TLP 44



2.03

Spare parts for watertight luminaire TLP 44 - 2180

No.	Spare parts	Part-no.
1	Diffuser PC, incl. gasket	101 00 44218
2	Lampholder G 13 /4 pcs./	014 00 44218
3	Ballast /2 pcs./	032 00 44218
4	Capacitor	021 00 44218
5	Stainless steel clamps /cpl./	306 00 44218
6	Cable gland /2 pcs./	042 00 44218
7	Mounting kit /2 pcs./	402 00 44218
8	Junction box	501 00 44218

Spare parts for watertight luminaire TLP 44 - 2360

No.	Spare parts	Part-no.
1	Diffuser PC, incl. gasket	101 00 44236
2	Lampholder G 13 /4 pcs./	014 00 44236
3	Ballast /2 pcs./	032 00 44236
4	Capacitor	021 00 44236
5	Stainless steel clamps /cpl./	308 00 44236
6	Cable gland /2 pcs./	042 00 44236
7	Mounting kit /2 pcs./	402 00 44236
8	Junction box	501 00 44236