

**IP 68**

220V-250V  
50Hz-60Hz

**G24q-2**

Type	Light source	Light source power / lamp base	Weight
TLP 53 - 0180	tubular compact fluorescent lamp	1 x 18 W / G24q-2	2,7 kg

**Application**

Decks

**Approvals**

according to the rules of relevant classification societies, additional IEC

**Protection class**

IP 68 h20

**Housing**

clear polycarbonate tube

**End caps**

polycarbonate

**Lamps (not included)**

tubular compact fluorescent lamp 18W

**Electric**

flexible wiring, heat resistant up to 105°C

**Cable entry**

1 cable glands, M 20

cable  $\varnothing$  7 - 13 mm

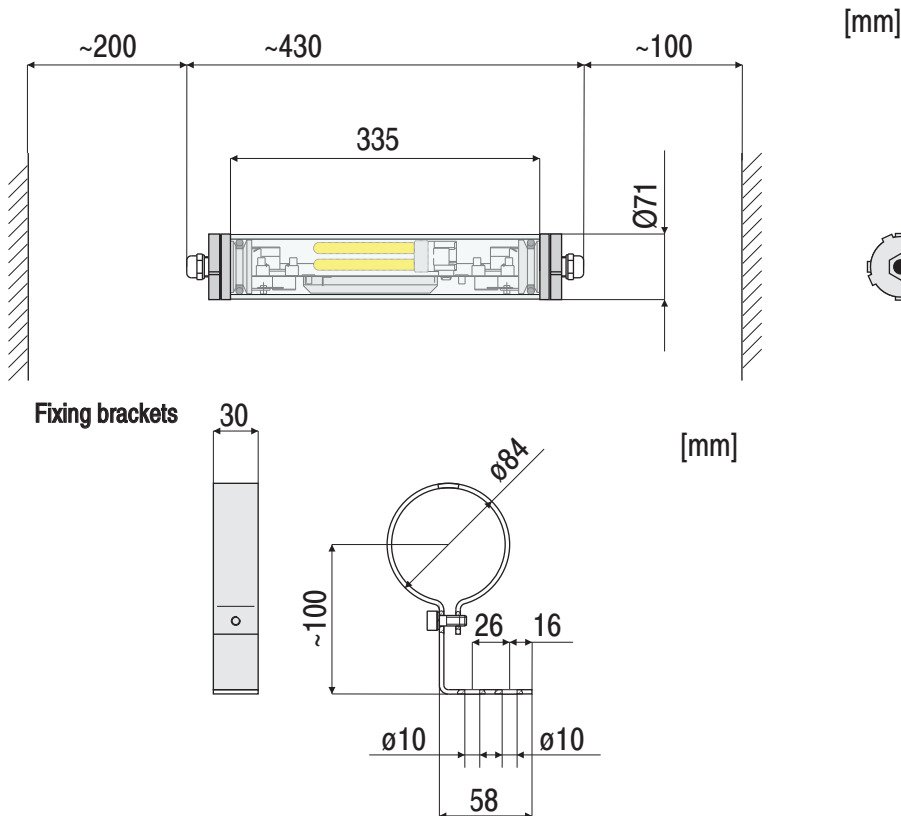
**Mounting**

2 fixing brackets, stainless steel

**Electrical connection**

see finish section

**2.05**



**OPTIONS**

220V  
60Hz

230V  
60Hz

120V  
60Hz

240V  
50Hz

24V DC

Electronic Ballast

220V-240V  
50Hz-60Hz

220V-240V  
DC

SC-Glands for screen cable



Type	Light source	Light source power / lamp base	Weight
TLP 53 - 1180	fluorescent lamp	1 x 18 W / G 13	3,7 kg
TLP 53 - 1360		1 x 36 W / G 13	4,7 kg

Application  
decks

Approvals

according to the rules of relevant  
classification societies, additional IEC

Protection class

IP 68 h20

Housing

clear polycarbonate tube

End caps

polycarbonate

Lamps (not included)

fluorescent lamp 18W/36W

Electric

flexible wiring, heat  
resistant up to 105°C

Cable entry

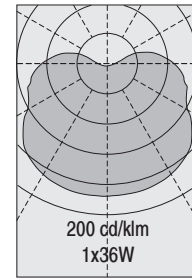
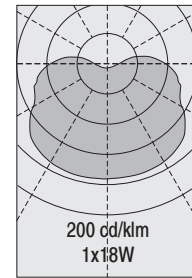
2 cable glands, M 20,  
cable  $\phi$  11 - 14,5 mm

Mounting

2 fixing brackets, stainless steel

Electrical connection

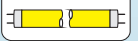
see finish section



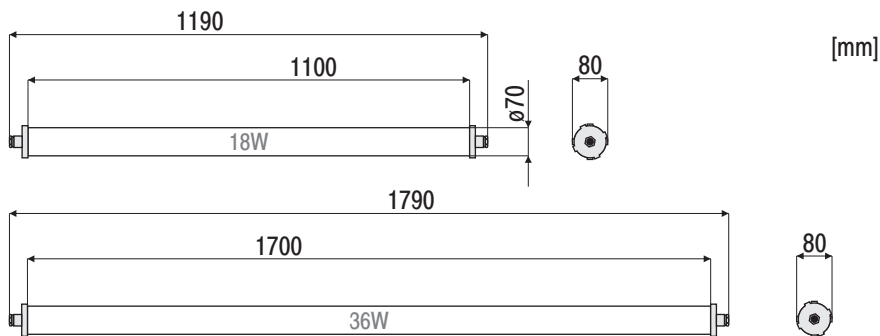
IP 68

230V  
50Hz

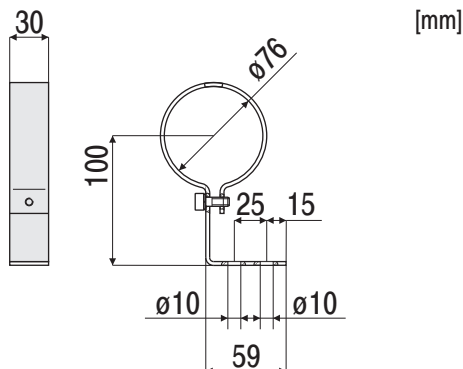
G13



2.06



Fixing brackets



OPTIONS

220V  
60Hz

230V  
60Hz

120V  
60Hz

240V  
50Hz

24V DC

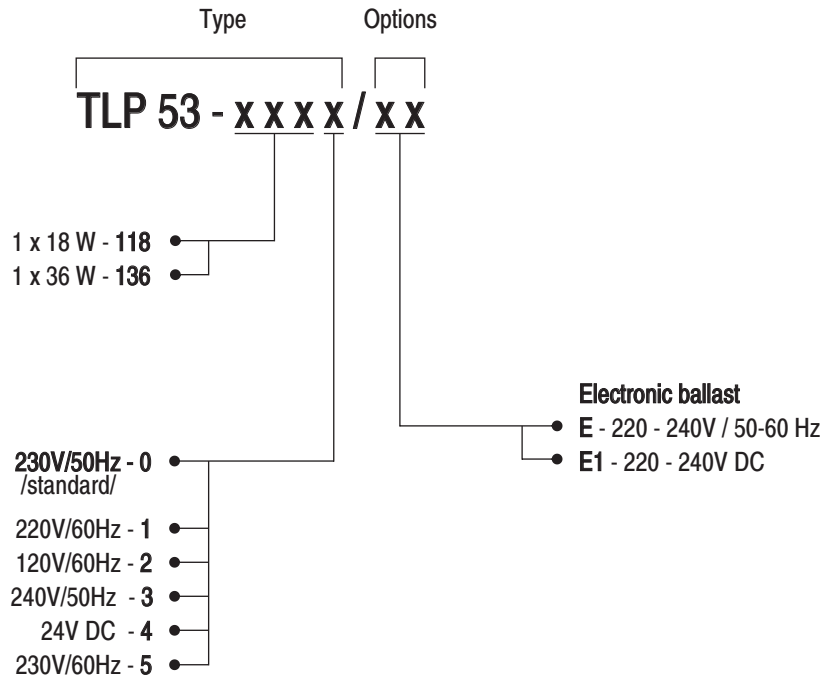
Electronic  
Ballast

220V-240V  
50Hz-60Hz

220V-240V  
DC

SC-Glands  
for screen  
cable

### Order Specification



Example of type description

**TLP 53 - 1182** light fitting for one fluorescent lamp 18W with socket G13; supply voltage 120V/60Hz;

2.07

**Spare parts for watertight luminaire TLP 53 - 1180**

No.	Spare parts	Part-no.
1	Lampholder G 13 /2 pcs./	012 00 53118
2	Ballast	031 00 53118
3	Capacitor	021 00 53118
4	End caps /cpl./	302 00 53118
5	Cable gland /2 pcs./	042 00 53118
6	Fixing brackets /2 pcs./	402 00 53118

**Spare parts for watertight luminaire TLP 53 - 1360**

No.	Spare parts	Part-no.
1	Lampholder G 13 /2 pcs./	012 00 53136
2	Ballast	031 00 53136
3	Capacitor	021 00 53136
4	End caps /cpl./	302 00 53136
5	Cable gland /2 pcs./	042 00 53136
6	Fixing brackets /2 pcs./	402 00 53136