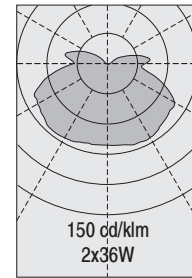
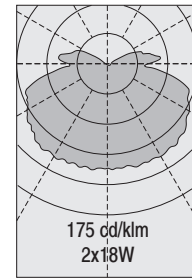


Coldroom Luminaire, surface
1x18W/2x18W; 1x36W/2x36W

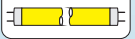
TZP 44



IP 67

230V
50Hz

G13



-30°C

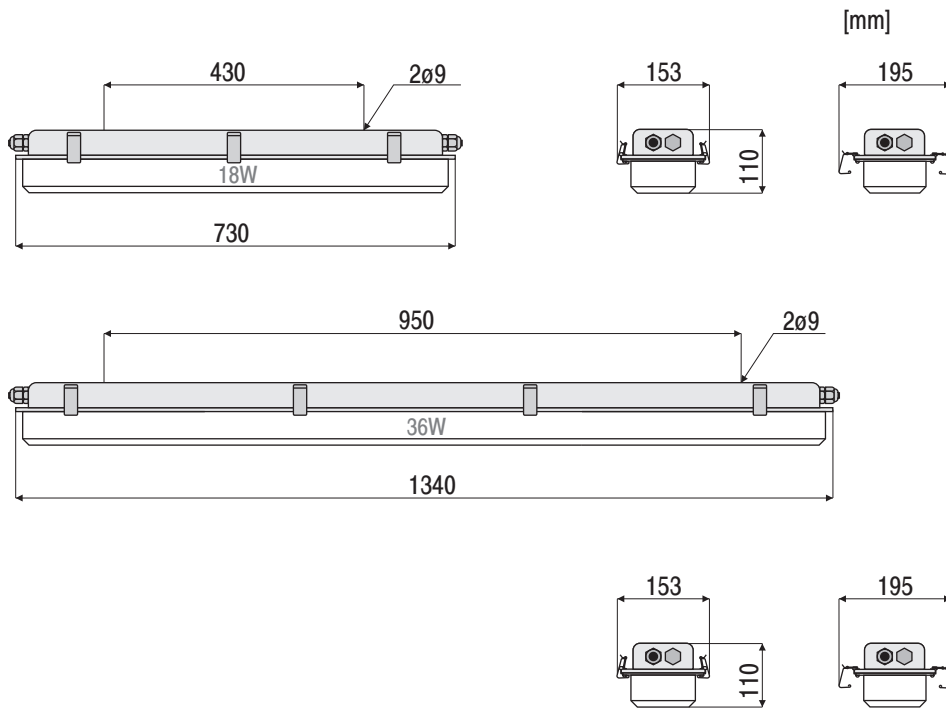
Type	Light source / included /	Light source power / lamp base	Starter / included /	Weight
TZP 44 - 1180	Aura Thermo LL	1 x 18 W / G 13	electronic starter	3,5 kg
TZP 44 - 2180		2 x 18 W / G 13		4,0 kg
TZP 44 - 1360		1 x 36 W / G 13		5,6 kg
TZP 44 - 2360		2 x 36 W / G 13		6,2 kg

Application
coldrooms, refrigerated areas, freezing rooms
Approvals
according to the rules of relevant classification societies, additional IEC
Ambient temp.
- 30°C to + 40°C

Housing
zinc coated steel, seamless deep drawn, powder coated white
Diffuser
polycarbonate, clear
Lamps (included)
fluorescent lamp Aura Thermo LL 18W/36W

Electric
flexible wiring, heat resistant up to +105°C,
Cable entry
max 4 cable glands, to be ordered separately
Mounting
2, 4 or 8 mounting holes, ø 9 mm
Electrical connection
see finish section

2.10



OPTIONS

220V
60Hz

230V
60Hz

120V
60Hz

240V
50Hz

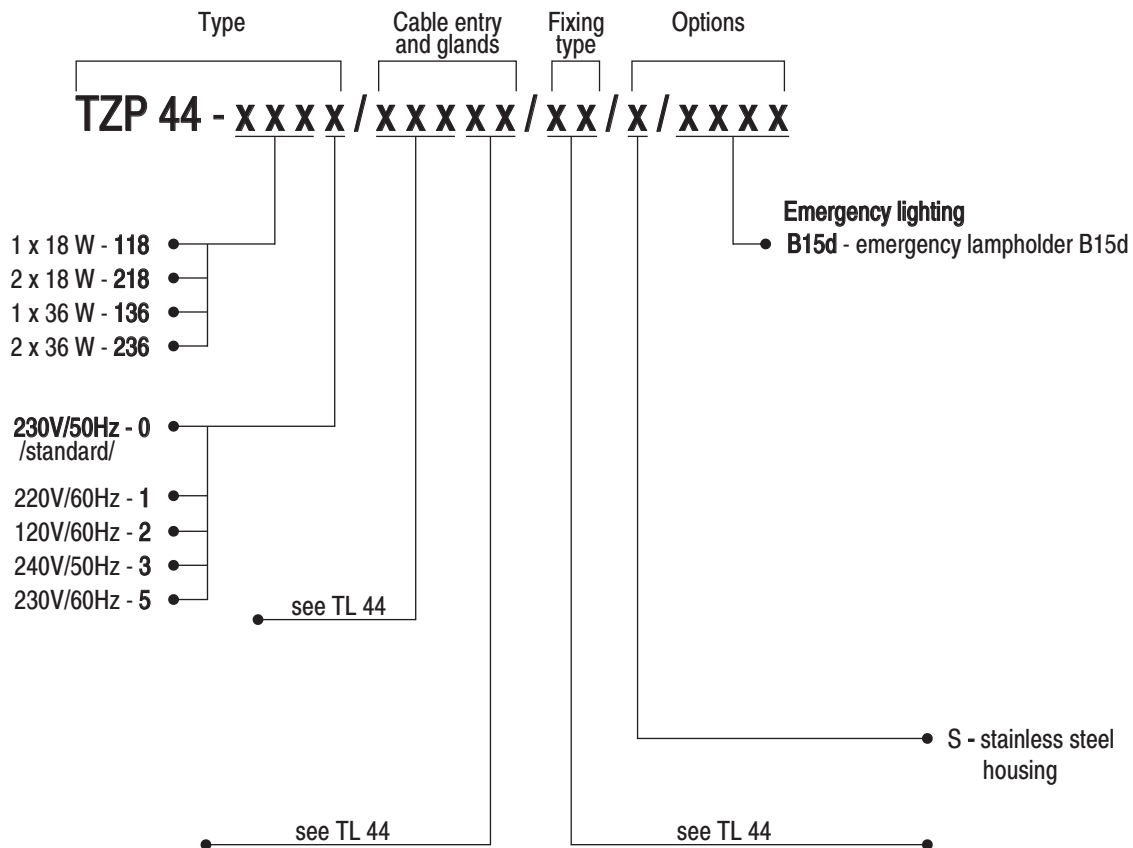
Emergency Lampholder B15d

Stainless Steel Housing

Outside Junction Box

SC-Glands for screen cable

Order Specification



2.11

Example of type description

TZP 44 - 2180/P/W/S light fitting for two fluorescent lamp 18W with socket G13; supply voltage 230V/50Hz; through wiring; cable glands - PG 16; fixing - two welded brackets; housing of stainless steel; / light fitting included two fluorescent lamps Aura Thermo LL 36W and electronic starters /

Spare parts for coldroom luminaire TZP 44 - 2180

No.	Spare parts	Part-no.
1	Diffuser PC, incl. gasket	101 00 44218
2	Lampholder G 13 /4 pcs./	014 00 44218
3	Ballast /2 pcs./	032 00 44218
4	Capacitor	021 00 44218
5	Stainless steel clamps /cpl./	306 00 44218
6	Cable gland /2 pcs./	042 00 44218
7	Mounting kit /2 pcs./	402 00 44218
8	Junction box	501 00 44218
9	Electronic starter	052 00 44218
10	Thermo LL18W /2 pcs./	062 00 44218

Spare parts for coldroom luminaire TZP 44 - 2360

No.	Spare parts	Part-no.
1	Diffuser PC, incl. gasket	101 00 44236
2	Lampholder G 13 /4 pcs./	014 00 44236
3	Ballast /2 pcs./	032 00 44236
4	Capacitor	021 00 44236
5	Stainless steel clamps /cpl./	308 00 44236
6	Cable gland /2 pcs./	042 00 44236
7	Mounting kit /2 pcs./	402 00 44236
8	Junction box	501 00 44236
9	Electronic starter	052 00 44236
10	Thermo LL 36W /2 pcs./	062 00 44236